



USER MANUAL

SUMMARY

About this guide	3
Symbols and Warnings.....	4
Terms of Use	4
Astm Classification.....	5
Angle Adjust Headset.....	7
Saddle Clearance	10
Setting Rear Suspension	11
Tightening Torque.....	15
Maintenance of Your Scor 6080 Z Frame.....	16
Compliance	17
Technical Information & Compatibility.....	18
Scor 6080 Z Geometry.....	20
For the Nerds	22
Spare Parts	24
Warranty Terms and Conditions.....	26



ABOUT THIS GUIDE

This guide is made only for the 6080 Z complete bike from SCOR. This guide has been created to ensure the safe and proper handling of your bike, so we suggest you read it carefully. The following instructions might require specific technical knowledge and skills. If you have any questions after reading this guide, please do not hesitate to contact us.

This guide does not replace the printed manuals supplied with the bike. Please ensure that you are familiar with the original instructions manual, and with manuals for the drive system and battery. The manuals for the drive system and battery are available under the following link:

[User manuals \(bosch-ebike.com\)](https://www.bosch-ebike.com)

We kindly invite all riders of the SCOR 6080 Z complete bike to read at least the chapter “terms of use” found in this guide.

SCOR will not be responsible for any loss or damage of any kind incurred as a result of failure to comply with the instructions specified in this guide.

You have chosen a SCOR frame / module/ complete bike, and we want to thank you for trusting us. Our frames are manufactured with great care, we use the best design, testing, manufacturing processes and technologies to deliver riders the best possible equipment.

The assembly of SCOR frames / modules / complete bikes require some special tools and skills, so we recommend that you consult an expert mechanic in case of a doubt.

We hope that you will enjoy your SCOR frame / module / complete bike as much as we did enjoy creating it.

If you have any issue, feedback or simply to say hello, please contact us through the following email: info@scor-mtb.com



SYMBOLS AND WARNINGS

This guide contains different symbols that have different meanings. Most of them are meant to raise your attention to some aspects you should consider.



NOTE

This symbol indicates information that you should consider with great care



CAUTION

This symbol is a warning for you to consider with great care. Ignoring this information can lead to damaging your frame and running a risk of injury and/or death.



TIPS

This symbol indicates very helpful but not mandatory instructions and advises. Following them will make your experience with SCOR even more enjoyable

TERMS OF USE



Please consider and understand the intended use of this frame / module / complete bike. Improper use can lead to injury and/or death.



Improper use of the frame / module / complete bike, not following this guide's instruction will void the warranty.

The SCOR 6080 Z bike is designed for a maximum total system weight of 140 kg.

System weight refers to: bike + rider fully kitted + cargo = total system weight



ASTM CLASSIFICATION

The following information refers to the voluntary regulation ASTM F2043-13 from ASTM international.



This indication establishes the conditions of use only of the SCOR 6080 Z frame. The SCOR 6080 Z frame is classified in category 4.

This is a set of conditions for the operation of a bicycle that includes Conditions 1, 2, and 3, or downhill grades on rough trails at speeds less than 40 km/h (25 mph), or both. Jumps are intended to be less than 122cm (48").

However, the use of a bicycle / frame under those conditions depends largely on the rider skills.



This frame, like every equipment, is not indestructible and has to be used with care. Abusive use will lead to potential failure, injury and/or death.

ANGLE ADJUST HEADSET

Your SCOR 6080 z frame/ module / complete bike is specified with a special headset which features an integrated steering stopper. The steering stopper prevents harsh contact between the fork crown/top caps with the downtube. Please check **Fig.1** for the full assembly overview.



The crown race is specifically shaped to include two CNC machined steps that will contact similar steps machined inside the lower head tube bearing pocket. In the case of a hard lateral impact, the system will act as a steering stopper and will dissipate the peak impact and protect your frame and fork.



If you experience this type of hard impact, it could result in uneven steering limit angles (you can steer your bike more to one side than the other). This is due to the rotation of the lower crown race and it's normal. You can easily re-align the system by turning the handlebar while keeping the front wheel firmly between your legs, you may need a great amount of force doing so. Old school is cool !



Fig.1 – Headset

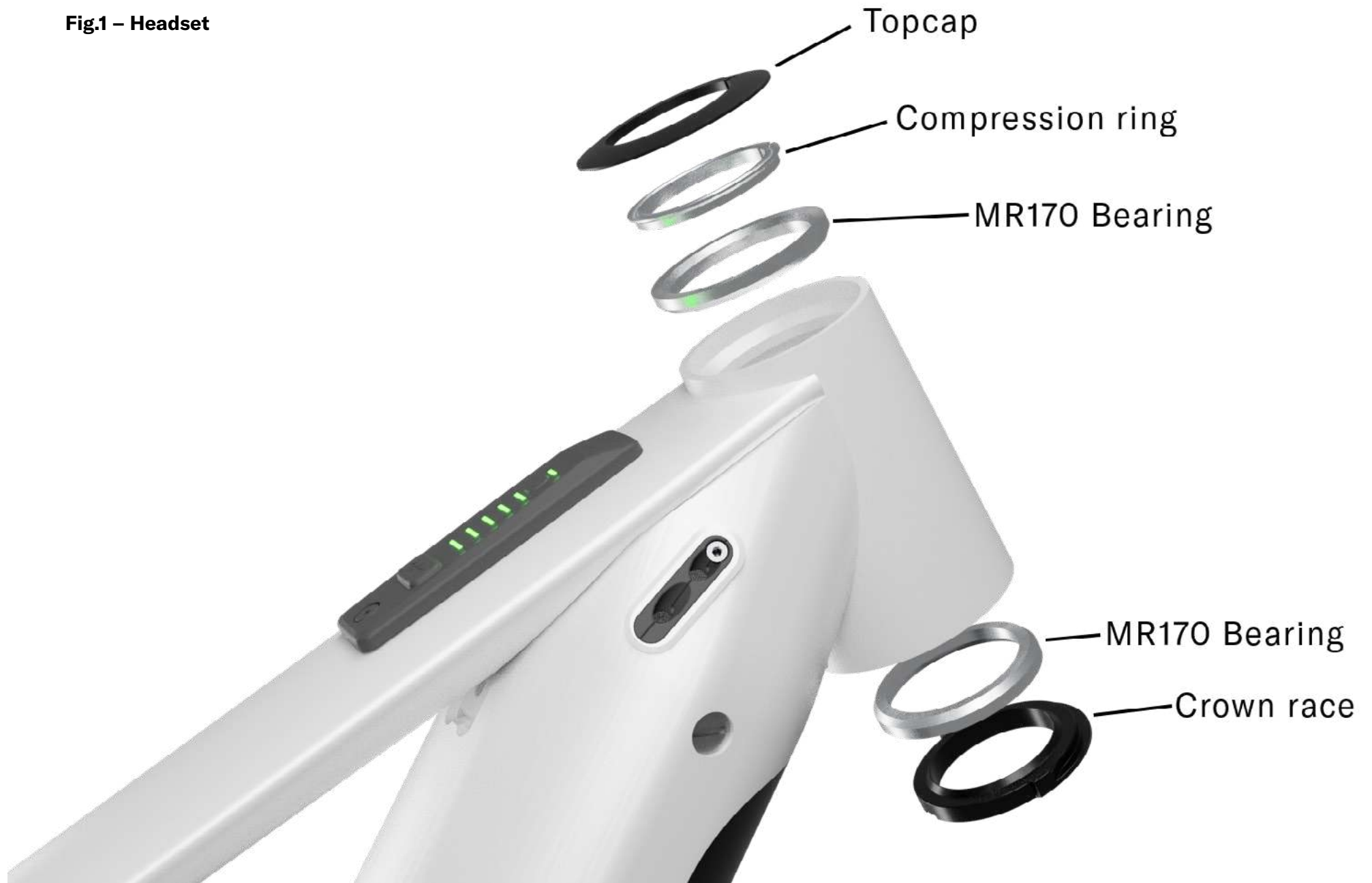


Fig.1 – Headset



SETTING REAR SUSPENSION



The SCOR 6080 Z bike has been designed for optimal suspension performance with 28/30% SAG at the rear shock. Since the frame can accept either 65mm or 57,5mm stroke shocks, please make sure you adjust your SCOR 2030 frame suspension accordingly before using it.



SCOR 6080 Z is available only with a 65mm stroke shock, which delivers 180mm or rear wheel travel. If you wish to reduce rear wheel travel to 160mm, you will need to have your shock stroke modified by a certified professional suspension workshop, or swap the original 65mm stroke shock with a 57,5mm stroke version.

For your information, SAG values are the following (measured on the shock):

Shock stroke	28% SAG	30% SAG
65mm	18,2mm	19,5mm
57,5mm	16,1mm	17,3mm

Please refer to the rear shock manual for additional information about your suspension shock.



On your SCOR 6080 Z, removing and installing the rear shock requires taking simple steps. Please follow the following steps in order to have an easy maintenance procedure. It is suggested to use a proper bicycle workstand to conduct this procedure.

1. Remove rear wheel from bike.
2. Remove the shock fender from frame (Torx T10)
3. Loosen shock front mount bolts about three to four turns, but leave them installed.
4. Loosen the shock rear mount bolt and remove it. Be careful not to drop the flip chip inserts.
5. Remove shock forward mount bolts.
6. Gently remove shock from frame



There is a BB height flip chip within the lower link/rear shock bolt (Fig.5), it can be adjusted by loosening the rear shock bolt with a 5mm Allen wrench. Flip to align the chip line to the lower link line, don't forget to have both sides flip chips in the same position !

Reinstalling the shock follows the same sequence but reversed.



Fig.5 – BB height Flip chip



High position

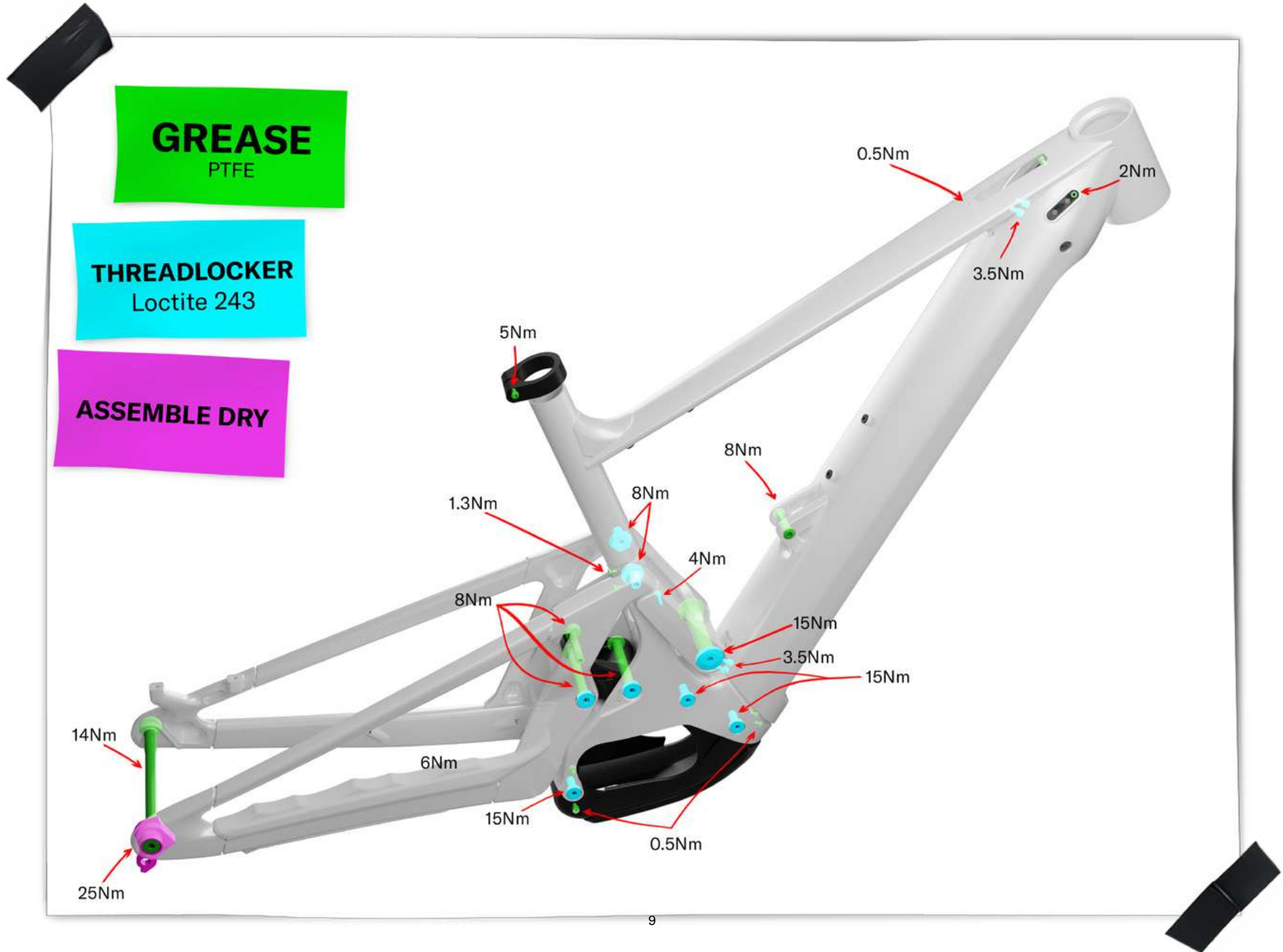


Low position



⚠ TIGHTENING TORQUE ⚠

All frame bolts must be tightened with a properly calibrated torque wrench. Please refer to the technical manual for torque values.



IMPORTANT BATTERY INFORMATION

Battery removal / installation

Please refer to the Bosch online manual

[PowerTube Pack_02750073PX_202205_weu12_mReg \(bosch-ebike.com\)](https://www.bosch-ebike.com/PowerTube_Pack_02750073PX_202205_weu12_mReg)



remember to switch off your bike/battery before removing/installing the main battery !



keep your ABUS battery lock keycard with key code somewhere safe, you will need it if you lose your keys !

Removing the PowerTube battery

1. Open the battery lock using the key. The battery will be unlocked and fall into the safety restraint.
Note: When removing the e-Bike battery, hold it firmly in your hand.
2. Hold the battery firmly and press on the safety restraint from above. The battery will unlock completely and fall into your hand. Then pull the battery out of the frame.

IMPORTANT BATTERY INFORMATION

Installing the PowerTube battery



In order for the battery to be installed, the key must be inserted into the battery lock and the battery lock must be open.

1. Position the battery so that its contacts are in the lower holder of the frame.
2. Twist the battery upwards until it is held by the safety restraint.
3. Hold the battery lock open with the key and press the battery upwards until you hear it click into place.
4. Always secure the battery by closing the battery lock – otherwise the battery lock may open and the battery may fall out of the holder.
5. Always remove the key from the battery lock after locking it. This prevents both the key from falling out and the e-Bike battery from being removed by unauthorized third parties when the e-Bike is not in use.



MAINTENANCE OF YOUR SCOR 6080 Z FRAME / MODULE / COMPLETE BIKE



Keep your bike clean. For proper operation, best and long-lasting performance, your bike should be clean. Use water with mild soap to carefully your bike, and while you are at it you can check for any damage to the frame or components.



Pressure washing

Please avoid cleaning your bike with a pressure washer. Using a pressure washer to clean your bike will push water and dirt in areas where it's difficult to drain/dry naturally. The extensive use of pressure washer will lead to premature wear of the suspension bearing, pivot axles and the frame itself. The abuse of pressure washer will void the warranty.



Solvents and cleaning agents

Please do not use solvents or cleaning agents other than mild soap. The use of these products can lead to permanent damage to the frame finish.



Keep your bike lubed. Once your bike is clean, you should check and add appropriate lubrication to the following parts of your bike:

- **Thru-axle:** slight layer of non-lithium based grease on the axle and threads
- **Chain:** a few drops of bicycle specific chain lube will keep your drivetrain running smooth.



Do not use conventional grease inside the seat tube of your SCOR frame. This area needs carbon assembly paste which is supplied with your frame (check the small parts box). Using conventional grease in the seat tube can lead to permanent seat post slippage.



Inspect your frame regularly, at least once every month. Look for anything that would compromise the operation of the frame like dents, cracks, bumps or loose bolts and/or components. The frame must not be used if anything preventing perfect operation is found, and this must remain the case until the appropriate repair or component replacement has been conducted. If you ride more than 3 times per week, and/or in adverse conditions such as rain/mud/snow, you should inspect your frame weekly as some parts may wear at a faster pace.

In general, the components of a bike will wear at a different pace, depending on usage, weather, materials and maintenance cycles.



if you notice some surface cracking, paint cracking, abnormal surface scratches, abnormal color changing, please stop riding your frame and contact SCOR for advice a potential solution to the problem that is approved by SCOR.





After an impact or heavy crash, please inspect your frame once you have checked yourself for potential injury. Look for some surface cracking, paint cracking, abnormal surface scratches, abnormal color changing. If you find anything abnormal, please stop riding your frame and contact SCOR for advice on a potential solution to the problem that is approved by SCOR.



Frame modification

Do not try to modify any structural part of your SCOR frame, keep it as the assembly you received. Any modification listed will void the warranty and lead to potential injury and/or death:

- Frame sanding
- Frame drilling
- Frame filling
- Suspension linkage modifications
- Headset system modifications

WARRANTY TERMS AND CONDITIONS

Your SCOR 6080 Z has been manufactured with the highest levels of care and precision. According to the law, SCOR is responsible for delivering you a frame that is faultless of anything that will prevent normal operation. Therefore, your SCOR frame will benefit from the following warranty terms:

1. 5-year frame warranty covering
 - Manufacturing defects
 - Material defects
 - Workmanship defects



Please note that frame paint & finish are covered under the same terms, but for a 2-year period of time.

2. Lifetime crash replacement covering
 - Damage gathered during a crash
 - Damage gathered after the 5-year warranty period
3. 5-year crash replacement warranty to non-original buyer of the frame, covering
 - Damage gathered during a crash
 - Damage gathered during the 5-year warranty period



The conditions of warranty are the following:

- Terms 1 & 2 are solely applicable to the original buyer of the frame
- Term 3 is applicable to any non-original buyer of the frame
- Proof of purchase will be required for any claim falling into terms 1,2 and 3.
- Frame serial number will be required for any claim falling into terms 1,2 and 3.
- All warranty terms start at the date indicated on the proof of purchase.
- Benefiting from term 3 requires the original buyer and the new owner to declare the sale on www.scor-mtb.com/registration
- other components of your frame are covered by the related manufacturer warranty. For more information, please read the manuals located in the small parts box.

If you have any questions, please contact us:

SCOR

Sportstrasse 49

CH-2540 Grenchen

Tel :+41 654 14 54

info@scor.com

COMPLIANCE

SCOR frames comply with the following regulations:

- ISO4210
- EN14766 Mountain bikes
- EN14761 general purpose bicycles
- EN15194 Pedelec / e-bikes
- EPAC ? Pedal assist electric bicycles



TECHNICAL INFORMATION & COMPATIBILITY

SCOR 6080 Z technical specifications	
rear wheel spacing	148x12mm (Boost)
Thru axle length / diameter / thread pitch	181mm / 12mm / 1,0
Chainline	55mm
Derailleur hanger	SRAM UDH
Seat post diameter	31,6mm
seat clamp diameter	34,9mm
Headset type	Custom tapered / head angle adjust
Upper headset bearing	FSA - MR170 (40x52x7mm, 45°angle / 45° chamfer)
Lower headset bearing	FSA - MR170 (40x52x7mm, 45°angle / 45° chamfer)
Recommended fork crown diameter	58mm
Recommended fork length (Axle to Crown)	586 -606mm
Recommended fork travel	190mm
Max fork length / travel	606mm / 190mm - single crown highly recommended, dual crown at rider's risk !
Recommended fork offset	42/44mm
Bottom bracket	N/A
Chainguide	Proprietary top guide



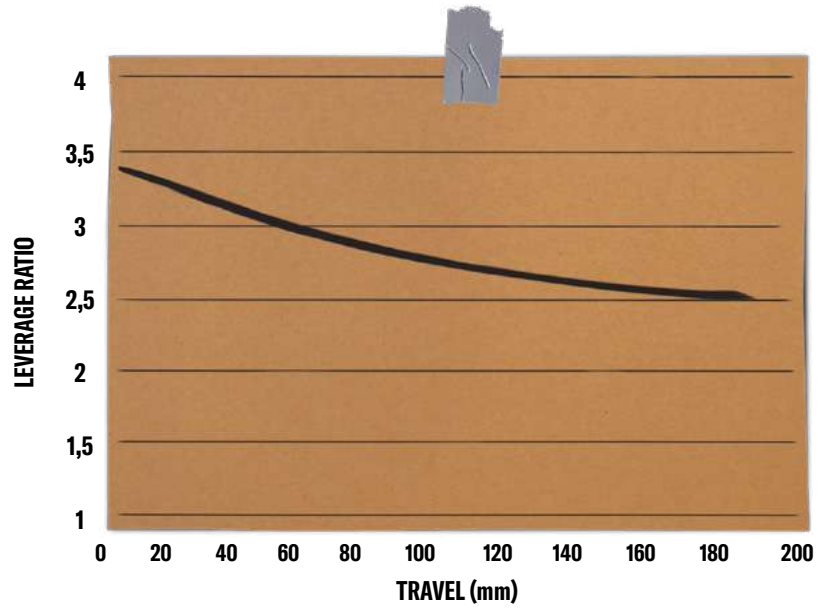
Rear brake mount	Disc PM7 (post mount 180mm)
Shock eye-to-eye	230mm Metric
Shock stroke	65mm / 57,5mm possible
Shock hardware upper mount	20x8mm
Shock upper mount bushings	N/A
shock hardware lower eyelet	30x8mm / bearing mount compatible
Shock tune Rockshox SDLX Ultimate	OL1 PRM 38SB C1
Shock tune Rockshox Deluxe Select +	OL1 PRM 38SS C1
bottle cage mounts	1 + 1 accessory mounting point
Bottle cage mounts	1 + 1 accessory mounting point

COMPATIBILITY	
Max rear rotor size	223mm
Max rear tire size (widest point)	64mm width / 720mm diameter
Max chainring size	34 round / 32 oval
Max seatpost insertion	435: 180mm / 457: 205mm / 483: 205mm / 513: 205mm
Min seatpost insertion	435: 80mm / 457: 100mm / 483:100mm / 513: 100mm

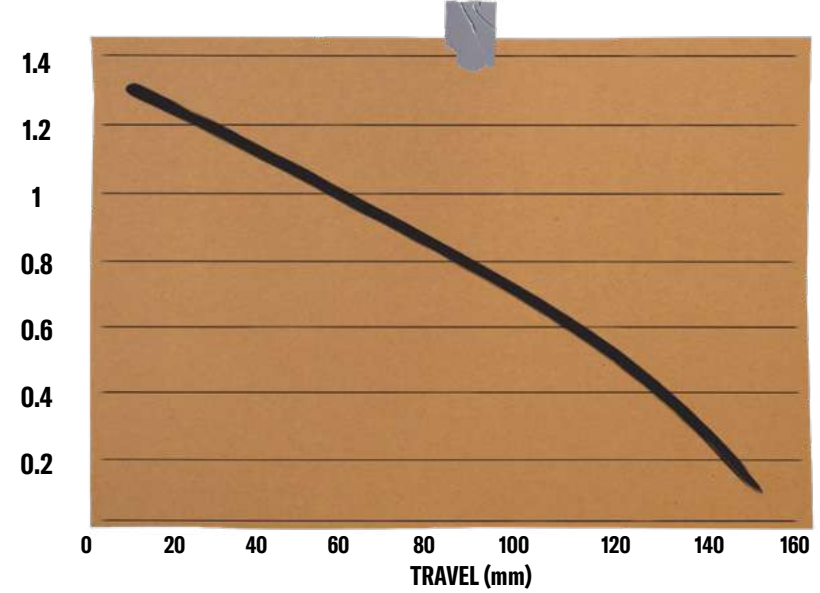


NERDS SECTION

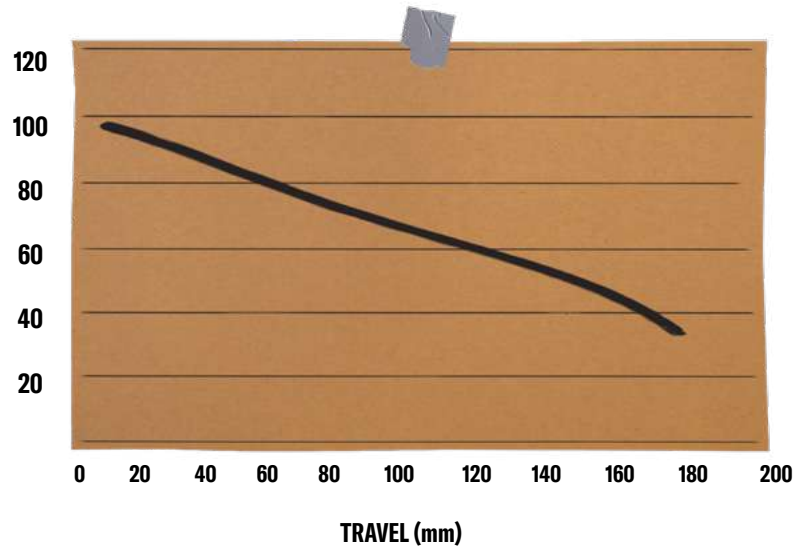
Suspension ratio curve



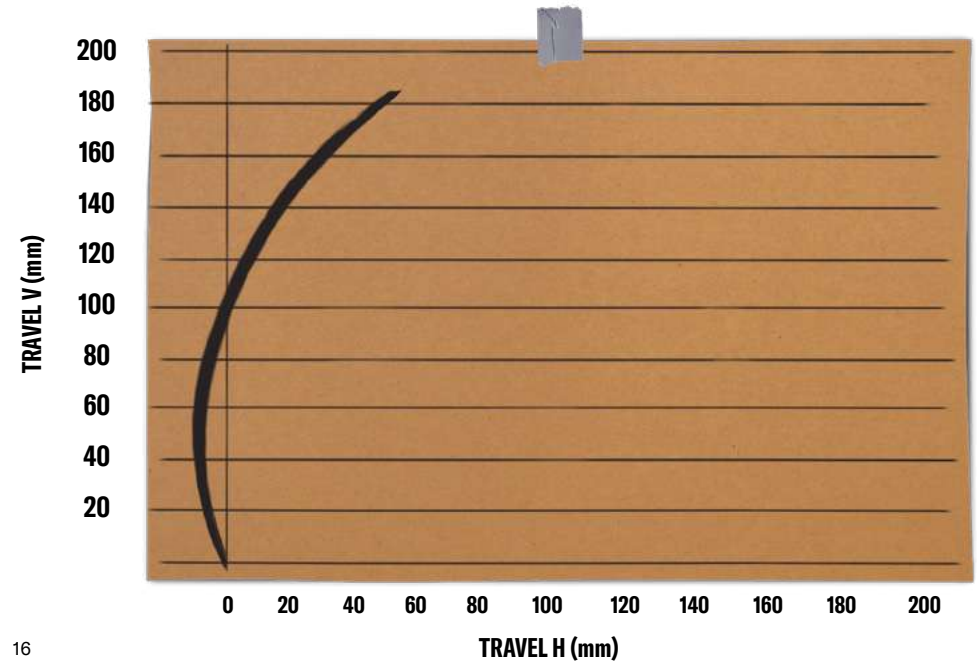
Anti-squat curve

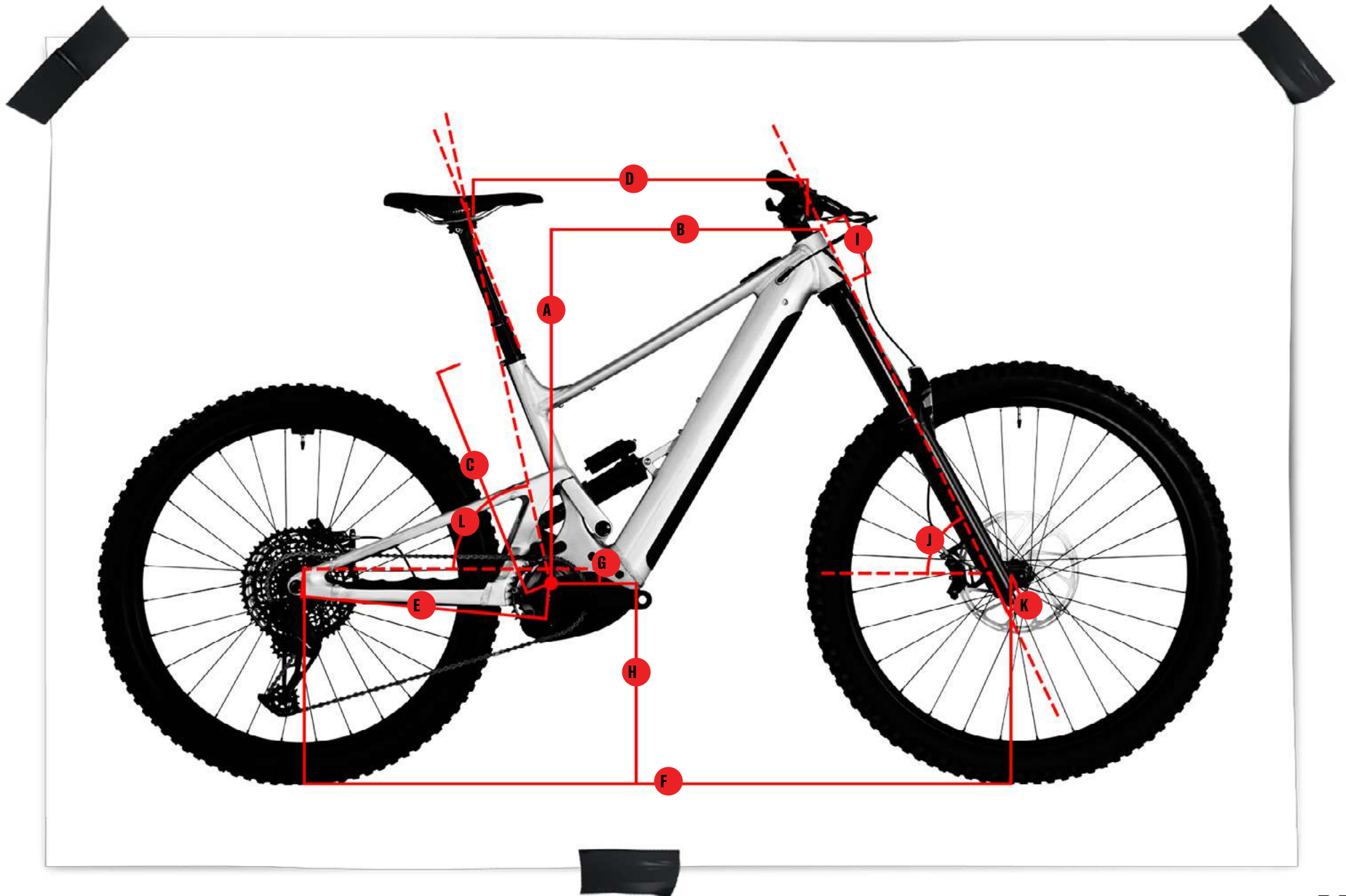


Anti-rise curve



Rear axle path



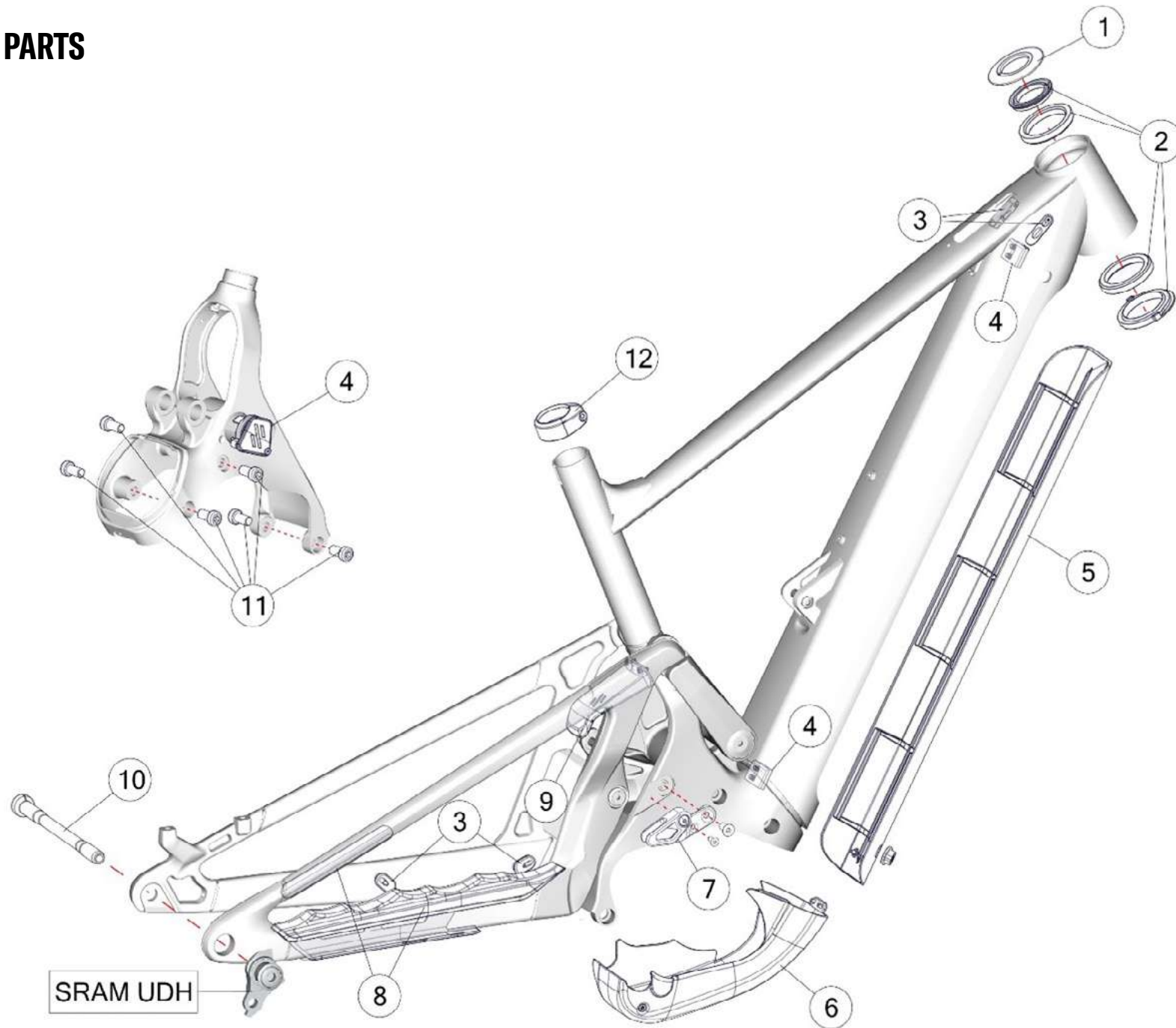


SCOR 6080 Z GEOMETRY

Size	435		457		483		513	
HT setup	High BB	Low BB	High BB	Low BB	High BB	Low BB	High BB	Low BB
Stack	618	622	621	625	631	635	646	650
Reach	439	435	462	458	489	485	517	513
Seat Tube length	400	400	425	425	440	440	480	480
Top Tube (virtual)	563	563	592	592	623	623	657	657
Chainstay length	435	435	435	435	435	435	435	435
Wheelbase	1218	1224	1241	1247	1273	1279	1309	1315
BB drop	10	16	10	16	10	16	10	16
Estimated BB height	355	349	355	349	355	349	355	349
Head Tube	93	93	96	96	107	107	124	124
HT Angle	63,4	63	63,4	63	63,4	63	63,4	63
Fork Length	606	606	606	606	606	606	606	606
Front Center	783	789	806	812	838	844	874	880
Fork Rake	44	44	44	44	44	44	44	44
Reference saddle height for ST Angle SCOR	750	750	750	750	750	750	750	750
ST Angle SCOR	76,4	76	76,4	76	76,4	76	76,4	76
ST Angle actual	68,9	68,5	68,9	68,5	68,9	68,5	68,9	68,5
ST Angle effective (industry standard)	77,5	77,5	77,5	77,5	77,5	77,5	77,5	77,5
Rear travel	180	180	180	180	180	180	180	180



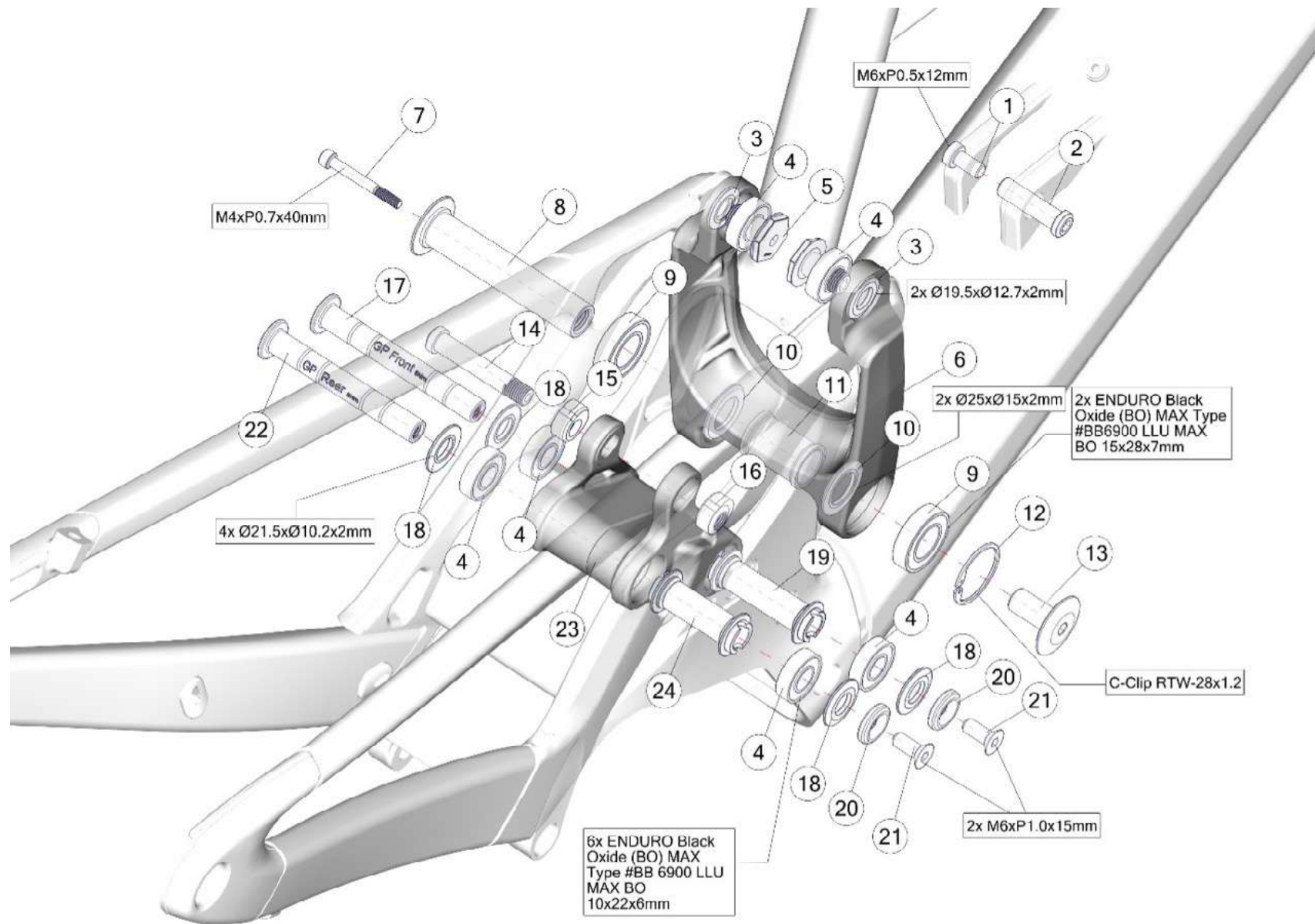
SPARE PARTS



SPARE PARTS

Pos. N°	Part N°	Part Name	Description
1	30000703	Topcone Standard Stem	Topcone for round spacers/stems
2	301737	Headset HS-B-05	
3	30004059	SCOR Cable guide No. 32	
4	30004054	SCOR E-Part Kit 6080 Z	BT mount rails incl. M4*10mm bolts, charging port cover
5	30004052	SCOR Battery Cover 6080 Z	Incl. Start button & 2x M3*6mm bolts
6	30004053	SCOR Drive Unit Cover 6080 Z	Incl. 2x M3*6mm & 2x M4*6mm bolts
7	30002024	SCOR Chainguide 4060 Z	
8	30001745	SCOR Rear Triangle Protection Kit	
9	30004058	SCOR Shock Fender 6080 Z	Incl. 2x M3*12mm bolts
10	30000706	Axle Kit #8	M12x1x180mm, tapered head
11	301244	BMC SCOR Motor Bolts	
12	30001739	SCOR Seatpost Clamp #28	
-	30004055	SCOR Charger Cable Kit 6080 Z	
-	30004056	SCOR Button Cable Kit 6080 Z	
-	30004057	SCOR Battery Mount Kit 6080 Z	





Pos. N°	Part N°	Part Name	Description
1,2,14,15,16	30004050	SCOR Rear shock bolt set No. 9	Shock mounting hardware only
3-5,7-13,17-22,24	30001744	SCOR Bolt Kit No. 27	All axles, bolts and washers. Shock bolts not included
3-24	30004051	SCOR Linkage Kit 6080 Z	Upper and lower link incl all bearings, bolts, washers, black anodized
4,6,9,12	30006161	SCOR 6080Z Alu Upper Linkage Kit	Upper link incl bearings and C-clip, Aluminium colour
4,6,9,12	30006160	SCOR 6080Z Bwn Upper Linkage Kit	Upper link incl bearings and C-clip, brown colour
4,19,23,24	30006159	SCOR 6080Z Lower Linkage Kit	Lower link incl bearings and axle spacers, black anodized
3,5,7,8,10,11,13	30006162	SCOR 6080Z Upper Axle Linkage Kit	Upper link axles, screws and washers
17,18,20,21,22	30006163	SCOR 6080Z Lower Axle Linkage Kit	Lower link axles, screws and washers
6x4, 2x9	30006158	SCOR 6080Z Linkage Bearing Kit	Bearings only



